

## SSM-P210/310/410

高性能型压力变送器/High performance pressure transmitter

- 压力量程/Range: -100kpa~0 & 0~5kpa~700bar
- 高性能芯体/High performance core
- 多种安装接口可选/Multiple Process connection optional
- 多种输出信号可选/ Multiple output signals optional
- 多种电气连接方式/Multiple electrical connections
- 高稳定性/High stability
- 高可靠性/High reliability
- 频率响应可定制/Frequency response can be customized



### 技术规格/Technique parameter

#### 产品性能/Product Performance

长期漂移/Long-Term Stability	±0.1%FS/year (不累计/Not cumulative)
精度/Accuracy	±0.1%FS、±0.25%FS(可选/Optional)
温度影响/Temp.Effect	1.5FS/100°C
补偿温度/Comp.Temp.	-20°C~80°C
工作温度/Working Temp.	-40°C~105°C
零点允差/Zero Error	±1%FS
满程允差/Span Error	±1%FS
响应时间/Response Time	P210: ≤5ms / ≤500Hz P310: ≤1ms / 1kHz~5kHz P410: ≤0.1ms / 10kHz~20kHz
疲劳寿命/Fatigue Life	设计超过1亿次/More than 100 million designs

#### 物理特征/Physical Characteristics

安装接口/Pressure Interface	参见订购指南/See Ordering Guide
接液部件/Contact Parts	SS304、SS316L
电气接口/Electrical Interface	参见订购指南/See Ordering Guide
外壳防护/Shell Protection	IP65/IP67/IP68可订制/Customizable
抗冲击/Shock	EC 68-2-32 procedure I
抗振动/Vibration	40g, 20-2000Hz
重量/Weight	约100克/About 100g

#### 环境数据/Environmental Data

认证/Authentication	CE、RoHS、Ex
-------------------	------------

更多产品信息请访问

For more product information, please visit : [www.js-ssmtech.com](http://www.js-ssmtech.com)

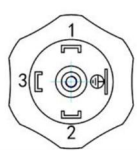

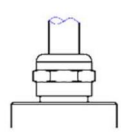
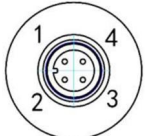
## 特有技术规格/Specific technical specifications

电压输出/Voltage Output	
输出 (3线) /Output (3-wire)	最小0V至最大10V/Min 0V to max 10V
供电电压/Power Supply	高于满量程输出4V, 最大30Vdc Over full range output 4V, max 30Vdc
毫伏输出/mv Linearization Output	
输出 (4线) /Output (4-wire)	3mv/V (4线) /4-wire
供电电压/Power Supply	10Vdc
电流输出/Current Output	
输出 (2线) /Output (2-wire)	4-20mA (2线) /2-wire
供电电压/Power Supply	10-30Vdc

## 压力特性/Pressure feature

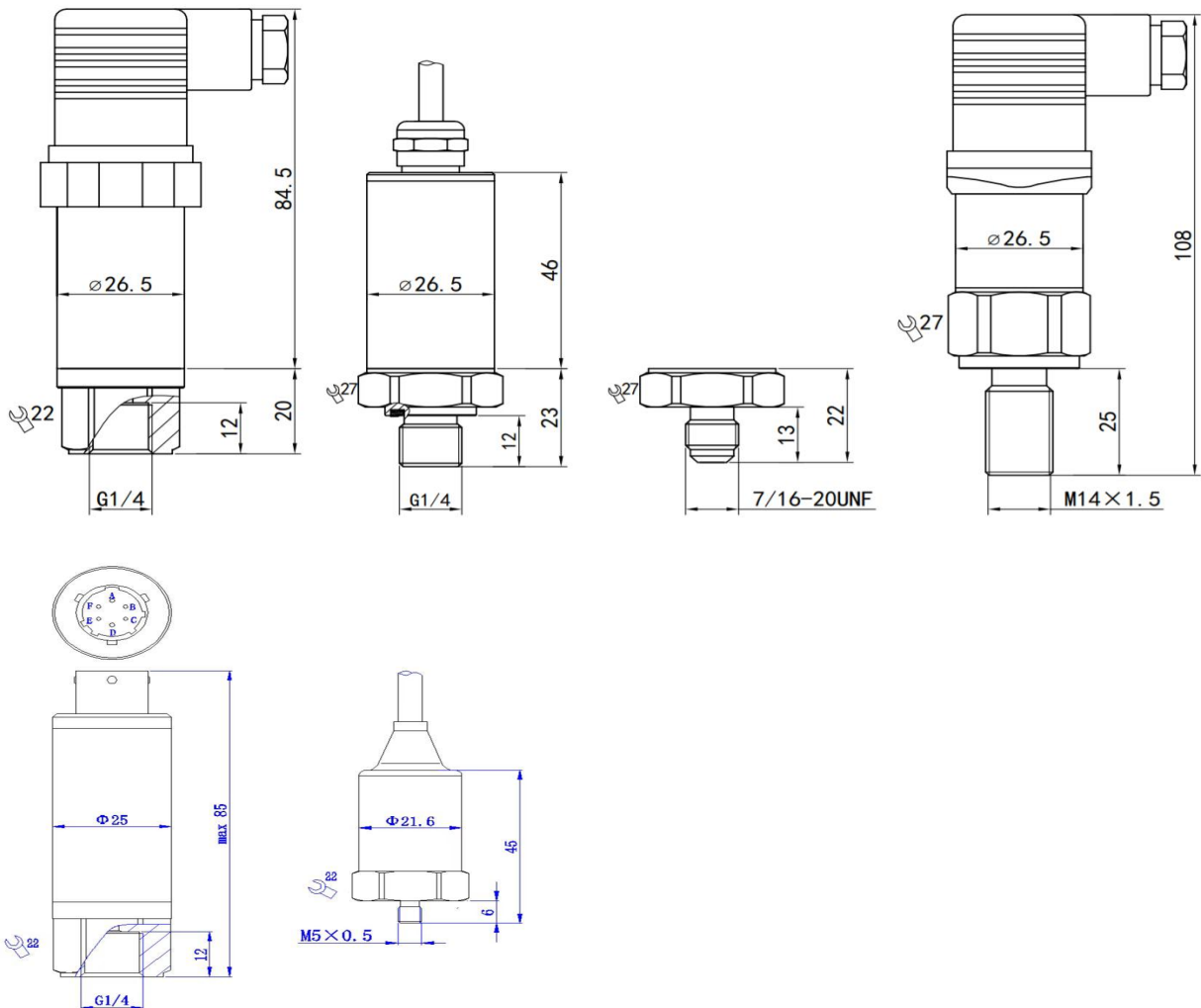
压力范围/Range Kpa / bar	耐压/Proof Pressure (×FS)	破裂压/Burst Pressure (×FS)
	SSM-P210/310/410	SSM-P210/310/410
真空/Vacuum	3.0×FS	5.0×FS
5~100kpa	2.0×FS	5.0×FS
200kpa~100bar	2.0×FS	3.0×FS
200bar~700bar	1.5×FS	2.0×FS

## 接线定义/Wiring Definition

插件示意图 Plugin diagram	插件脚位 Foot position	线缆颜色 Cable color	电流输出 Current output	电压输出 Voltage Output	RS485 Modbus RTU
<b>D I N</b> 	1	红 (Red)	E+电源/Supply	E+电源/Supply	E+电源/Supply
	2	黑 (Black)	S+输出/Output	E-/S-共负/Com	E-电源/Supply
	3	蓝 (Blue)		S+输出/Output	RS485 A
		白 (White)			RS485 B
<b>直接出线</b> 		红 (Red)	E+电源/Supply	E+电源/Supply	E+电源/Supply
		黑 (Black)	S+输出/Output	E-/S-共负/Com	E-电源/Supply
		蓝 (Blue)		S+输出/Output	RS485 A
		白 (White)			RS485 B
<b>M 1 2 * 1</b> 	1	棕 (Brown)	E+电源/Supply	E+电源/Supply	E+电源/Supply
	2	白 (White)			RS485 B
	3	蓝 (Blue)	S+输出/Output	S+输出/Output	RS485 A
	4	黑 (Black)		E-/S-共负/Com	E-电源/Supply

DIN43650 代码: 2D	格兰引线/Glan lead 代码xE	隔爆型直接出线/Flameproof direct outlet
M12航空插件/M12 aviation plug-in 代码: 4P	工业连接器/Industrial connector 代码1D	6芯航空插件/6-core aviation plug-in 代码6P

## 外型尺寸/External dimensions



单位: mm	内螺纹/Internal thread					内螺纹/Internal thread					内螺纹/Internal thread			
代码/Code	<b>1G(F)</b>	L1	L2	L3	D1	<b>2G(F)</b>	L1	L2	L3	D1	<b>2N(F)</b>	L1	L2	D1
尺寸/Size	G1/8	20	10	8	Φ25	G1/4	20	13	10	Φ25	1/4NPT	20	14	Φ25

单位: mm	内螺纹/Internal thread				内螺纹/Internal thread				内螺纹/Internal thread				内螺纹/Internal thread			
代码/Code	<b>7U(F)</b>	L1	L2	L3	<b>16M(F)</b>				<b>9U(F)</b>				<b>20M(F)</b>			
尺寸/Size	7/16-20UNF-2B	16	8.4	6.5	M16×1.5				9/16-18UNF				M20×1.5			

### 高性能型压力传感器 (SSM-P210/310/410)

型号表示: SSM-P210-①②③④⑤⑥⑦

系列号 Series	①压力类型 Pressure Type	②压力范围 Range	③安装接口 Process connection	④输出信号 Output	⑤电气接口 Electrical connection	⑥散热装置 Radiator	⑦精度 Accuracy	参数描述 Parameter description
SSM-P210 SSM-P310 SSM-P410								中频响应/Intermediate frequency response 高频响应/High frequency response
	A							表压/Gauge pressure 绝压/Absolute pressure
		范围/Range K B M						压力数值/Pressure value KPa Bar MPa
			1G(F) 2G(F) 1N 2N 4G XX *					G1/8 (内/Internal thread) G1/4 (内/Internal thread) 1/8NPT 1/4NPT G1/2 其他规格/Other *
				3MV 4A 4V 5V 10V				0-33.3毫伏/mv 4-20mA两线制/2-wire 0.5-4.5V三线制/3-wire 0-5V三线制/3-wire 0-10V三线制/3-wire
					2D 4P 6P xE			DIN43650赫斯曼/Hirschmann 四芯M12连接器/4pin 六芯航空插件/6pin 直接引线X米/Direct lead x meter
						5S		125°C, 无散热装置/No radiator 150°C, 5片散热槽/5 radiators
							2 1 *	±0.25%FS ±0.1%FS *

**注意事项/Attention:**

- 4PIN标配2米电缆线  
4PIN Standardized 2m Cable Line
- 6PIN标配2米电缆线  
6PIN Standardized 2m Cable Line
- 直接引线标配1米电缆线  
Direct lead with 1 m cable
- 带 "\*" 号请联系技术人员  
With "\*", please contact the technician